
SERVO-U[®] Ventilation

DATASHEET

MAQUET
GETINGE GROUP



General Specifications

Specifications	
Intended use	<p>The SERVO-U® Ventilator system is:</p> <ul style="list-style-type: none"> • Intended for respiratory support, monitoring and treatment of neonatal, pediatric and adult patients • To be used only by healthcare providers • To be used only in professional healthcare facilities and for transport within these facilities <p>For NAVA® and Edi monitoring, it is in addition intended:</p> <ul style="list-style-type: none"> • To provide monitoring of the patient's breathing drive • To improve synchrony between the ventilator system and patient when the electrical signal from the brain to the diaphragm is active • For use on all patients with no contraindication for insertion/exchange of a nasogastric tube
Instructions for use	<i>(See user's manual)</i>
Legal manufacturer	Maquet Critical Care AB
Other products	<i>(See separate data sheets — contact your Maquet Sales Representative for more information)</i>

General Ventilator Specifications

Specifications	SERVO-U	SERVO-U on mobile cart
Base system weight	<ul style="list-style-type: none"> • Approx. 50 lb 11 oz (23 kg) • Patient unit 33 lb 1 oz (15 kg) • User interface 8 lb 13 oz (4 kg) • Handle 7 lb (3 kg) • Cable holder and cable 2 lb 3 oz (1 kg) 	<ul style="list-style-type: none"> • Approximately 77 lb 3 oz (35 kg) • Base system approx. 50 lb 11 oz (23 kg) • Mobile cart 27 lb 9 oz (12.5 kg)
Dimensions of base <i>(See Technical Drawings on page 13)</i>	14.5 W x 8.1 D in (368 W x 205 D mm)	25.5 W x 21.5 D in (incl. wheels) (647 W x 547 D mm) (incl. wheels)
Height (includes user interface)	32.5 in (826 mm)	53.9 in (1368 mm)
Wheels	N/A	4 wheels with separate brakes
A-weighted sound pressure level (LpA)	<40 dB, measured at a distance of 3 ft 3 in (1 m)	
A-weighted sound power level (LWA)	<51 dB	

General Ventilation Specifications

Specifications	
Patient range	<ul style="list-style-type: none"> • Standard configuration: 7 lb to 551 lb 2 oz (3 to 250 kg) • Neonatal option: 11 oz to 17 lb 10 oz (0.3 to 8 kg)
Bias flow	<ul style="list-style-type: none"> • Adult: 2 l/min • Pediatric and neonatal: 0.5 l/min
Internal compressible factor	Max. 0.2 ml/cmH ₂ O
Gas delivery system	Microprocessor controlled valves
Maximum airway pressure	125 cmH ₂ O
Method of triggering	Flow, pressure and Edi (with Edi module and Edi catheter)
Inspiratory flow range	<ul style="list-style-type: none"> • Adult: 0 to 200 l/min • Pediatric and neonatal: 0 to 33 l/min
Pressure drop	<ul style="list-style-type: none"> • Max. 6 cmH₂O at a flow of 60 l/s (insp. channel) • Max. 3 cmH₂O at a flow of 60 l/s (exp. channel)
PEEP regulation	Microprocessor controlled valve
Rise time, expiratory flow measurement	<12 ms for 10% to 90% response at flow of 3 to 192 l/min
Expiratory flow range	0 to 192 l/min
User interface	
Type	TFT-LCD touchscreen
Size	14.4 x 11.8 in (366 x 300 mm)
Viewing area	15 in XGA, 1024 x 768 pixels with a 24-bit color palette
Weight	Approximately 8 lb 13 oz (4 kg)

Power Supply Specifications

Specifications	
Power supply, automatic range selection:	<ul style="list-style-type: none"> • 100V to 120V AC, 2.5 A, 50 to 60 Hz • 220V to 240V AC, 1.5 A, 50 to 60 Hz
Plug-in battery module:	Six battery module slots — two batteries are delivered with the ventilator Rechargeable, 12V, 3.5 Ah each Ranging from 50 minutes (2 batteries) to 150 minutes (6 batteries) Approximately 3 hr/battery
Battery backup (nickel-metal hydride, NiMH)	
Battery capacity	
Battery backup time	
Recharge time	Approximately 3 hr/battery
External 12V DC	12.0V to 15.0V DC, 10 A
Typical min. power consumption (no optional modules, no ongoing battery charging, normal panel backlight)	110 VA, 40 W
Typical max. power consumption (with CO ₂ , Edi and Y sensor modules, ongoing battery charging, max. panel backlight)	210 VA, 85 W

Gas Supply Specifications

Specifications	
Inlet gas pressure air/O ₂	200 to 600 kPa / 2.0 to 6.0 bar / 29 to 87 PSI
Connection standards available	AGA, DISS, NIST, or French standard
Unavailable gas/loss of gas pressure	The flow from an unavailable gas (air or O ₂) is automatically compensated for so that the patient gets the preset volume and pressure
Patient system gas connectors	Male 22 mm / female 15 mm — in accordance with ISO 5356-1
Gas exhaust port	Male 30 mm cone


Operating Conditions Specifications

Specifications	
Temperature	50° to 104°F (10° to 40°C)
Relative humidity	15% to 95% non-condensing
Atmospheric pressure	660 to 1060 hPa
Lowest pressure in patient circuit	-400 cmH ₂ O

Non-operating Conditions Specifications

Specifications	
Temperature	-13° to 140° F (-25° to 60°C)
Relative humidity	<95% condensing
Atmospheric pressure	470 to 1060 hPa
Lowest pressure in patient circuit	N/A

Standards—Safety and Functionality Specifications

Specifications	
 0123	The device complies with requirements and classification IIb of Medical Device Directive 93/42/EEC — CE Mark Notified Body number: 0123
Classification	IEC 60601-1: 2005, Class I, continuous operation
Standards	<ul style="list-style-type: none"> • ISO 80601-2-12:2011, ISO 80601-2-55:2011, EN 13544-1:2007+A1:2009 • IEC 60601-1, Type B (equipment making physical contact with the patient and the gas pathways) • IEC 60601-1, Type BF (CO₂ analyzer, Y sensor, nebulizer patient unit and cable) • IEC 60601-1, Type CF — defibrillation proof (Edi catheter and cable)
Ingress protection	IP 21
Electromagnetic compatibility (EMC)	<ul style="list-style-type: none"> • According to limits specified in IEC 60601-1-2: 2007 • The 'EMC Declaration, Information to the Responsible Organization' is available from Maquet

Display Specifications

Specifications	
Views	<ul style="list-style-type: none"> • <i>BASIC View</i> • <i>ADVANCED View</i> • <i>LOOPS View</i> • <i>DISTANCE View</i> • <i>FAMILY View</i> <p>Each of the screen layout views offers a specific combination of displayed waveforms, loops and presented values</p>
Real time waveforms	<ul style="list-style-type: none"> • Pressure • Flow • Volume • CO₂ (with CO₂ analyzer option) • Edi (with Edi module and Edi catheter)
Loops	<ul style="list-style-type: none"> • Pressure — Volume • Pressure — Flow • Volume — Flow <p>A reference loop and three overlaying loops can be displayed</p>

Ventilation Modes Specifications

Invasive Ventilation Modes Specifications	
Controlled ventilation	<ul style="list-style-type: none"> • PC (Pressure Control) • VC (Volume Control) • PRVC (Pressure Regulated Volume Control)
Supported ventilation	<ul style="list-style-type: none"> • PS/CPAP (Pressure Support / Continuous Positive Airway Pressure) • VS (Volume Support)
Automode (option)	<ul style="list-style-type: none"> • Control mode: VC <—> Support mode: VS • Control mode: PC <—> Support mode: PS • Control mode: PRVC <—> Support mode: VS
Combined ventilation	<ul style="list-style-type: none"> • SIMV (VC) + PS (Synchronized Intermittent Mandatory Ventilation) • SIMV (PC) + PS • SIMV (PRVC) + PS • Bi-Vent/APRV (Airway Pressure Release Ventilation)
NAVA®	<ul style="list-style-type: none"> • Neurally Adjusted Ventilatory Assist via endotracheal tube or tracheostomy

NOTE: VC and SIMV (VC) + PS and Automode VC <—> VS are not available in the neonatal patient category.

Non-invasive Ventilation Modes Specifications	
Controlled ventilation	<ul style="list-style-type: none"> • NIV PC (option)
Supported ventilation	<ul style="list-style-type: none"> • NIV PS (option) • Nasal CPAP (option)
NIV NAVA	<ul style="list-style-type: none"> • Neurally Adjusted Ventilatory Assist via non-invasive patient interfaces (option)

NOTE: Nasal CPAP is not available in the adult patient category.

NOTE: NIV PS is not available in the neonatal patient category.

Non-invasive Ventilation Specifications

Specifications	
Maximum leakage compensation level	<ul style="list-style-type: none"> • Neonatal/pediatric: 25 l/min (20 l/min Nasal CPAP) • Adult: 65 l/min
Disconnection flow (configurable)	<ul style="list-style-type: none"> • Low: 7.5 l/min • High: Adult — 40 l/min Neonatal/pediatric — 15 l/min • Disabled: Deactivates disconnection detection
Connection detection	Manual or automatic via bias flow

Parameter Settings

Settings	Neonatal Range	Pediatric Range	Adult Range
Tidal volume	2 to 50 ml	10 to 350 ml	100 to 4000 ml
Minute volume	0.1 to 7.5 l/min	0.3 to 20 l/min	0.5 to 60 l/min
Apnea, time to alarm	2 to 45 s	2 to 45 s	15 to 45 s
Maximum apnea time in Automode	3 to 15 s	3 to 15 s	7 to 12 s
Pressure level above PEEP	0 to 80 cmH ₂ O	0 to 80 cmH ₂ O	0 to 120 cmH ₂ O
Pressure level above PEEP in NIV	0 to 30 cmH ₂ O	0 to 30 cmH ₂ O	0 to 30 cmH ₂ O
PEEP	1 to 50 cmH ₂ O	1 to 50 cmH ₂ O	1 to 50 cmH ₂ O
PEEP in NIV	2 to 20 cmH ₂ O	2 to 20 cmH ₂ O	2 to 20 cmH ₂ O
CPAP pressure	2 to 20 cmH ₂ O	2 to 20 cmH ₂ O	—
Respiratory rate	4 to 150 breaths/min	4 to 150 breaths/min	4 to 100 breaths/min
SIMV rate	1 to 60 breaths/min	1 to 60 breaths/min	1 to 60 breaths/min
Breath cycle time, SIMV	0.5 to 15 s	0.5 to 15 s	1 to 15 s
P _{High}	2 to 50 cmH ₂ O	2 to 50 cmH ₂ O	2 to 50 cmH ₂ O
T _{High}	0.2 to 30 s	0.2 to 30 s	0.2 to 30 s
T _{PEEP}	0.1 to 10 s	0.1 to 10 s	0.1 to 10 s
PS above P _{High}	0 to 79 cmH ₂ O	0 to 79 cmH ₂ O	0 to 119 cmH ₂ O
O ₂ concentration	21% to 100%	21% to 100%	21% to 100%
I:E ratio	1:10 to 4:1	1:10 to 4:1	1:10 to 4:1
Ti	0.1 to 5 s	0.1 to 5 s	0.1 to 5 s
NAVA level	0 to 15 cmH ₂ O/μV	0 to 15 cmH ₂ O/μV	0 to 15 cmH ₂ O/μV
Edi trigger	0.1 to 2.0 μV	0.1 to 2.0 μV	0.1 to 2.0 μV
T _{Pause}	—	0 to 1.5 s	0 to 1.5 s
T _{Pause} (% of breath cycle time)	—	0% to 30%	0% to 30%
Flow trigger	0 to 0.5 l/min	0 to 0.5 l/min	0 to 2.0 l/min
Pressure trigger	-1 to -20 cmH ₂ O	-1 to -20 cmH ₂ O	-1 to -20 cmH ₂ O
Insp. rise time (% of breath cycle time)	0% to 20%	0% to 20%	0% to 20%
Insp. rise time	0 to 0.2 s	0 to 0.2 s	0 to 0.4 s
End inspiration (% of peak flow)	1% to 70%	1% to 70%	1% to 70%
End inspiration (% of peak flow) in NIV	10% to 70%	10% to 70%	10% to 70%

Back-up Parameter Settings

Settings	Neonatal Range	Pediatric Range	Adult Range
Inspiratory tidal volume	2 to 50 ml	10 to 350 ml	100 to 4000 ml
Pressure level above PEEP in back-up	5 to 80 cmH ₂ O	5 to 80 cmH ₂ O	5 to 120 cmH ₂ O
Pressure level above PEEP in NIV back-up	5 to 30 cmH ₂ O	5 to 30 cmH ₂ O	5 to 30 cmH ₂ O
Respiratory rate in back-up	4 to 150 breaths/min	4 to 150 breaths/min	4 to 100 breaths/min
I:E ratio	1:10 to 4:1	1:10 to 4:1	1:10 to 4:1
Ti	0.1 to 5 s	0.1 to 5 s	0.1 to 5 s

Special Functions Settings

Special Functions	Setting Range
Manual breath	Initiation of 1 breath (In SIMV mode initiation of 1 mandatory breath)
Static measurements	Insp. or exp. hold (0 to 30 seconds)
Nebulization	5 to 30 min/Continuous/Off
O ₂ boost level	Off, 1% to 79%
O ₂ boost function	Activate O ₂ boost up to 1 minute
Leakage compensation	On/Off
Circuit compensation	On/Off
Edi monitoring	In all ventilation modes and in Standby (with Edi module and Edi catheter)
Previous mode	Activates previously used mode
Backup ventilation	Back-up On/Off
Apnea management	Several parameters

Disconnection / Suction Specifications

Specifications	
Pre-oxygenation time	Maximum 2 minutes
Post-oxygenation time	Maximum 1 minute
Patient disconnected	High priority alarm activated after 1 minute
Adjustable oxygen level	21% to 100%

Monitoring and Trends Specifications

Specifications	
Peak airway pressure	Ppeak
Pause airway pressure	Pplat
Mean airway pressure	Pmean
Positive end expiratory pressure	PEEP
Continuous positive airway pressure	CPAP
Spontaneous breaths per minute	RR sp
Respiratory rate	RR
Spontaneous expiratory minute volume	MVe sp
Inspired minute volume	MVi
Expired minute volume	MVe
Leakage fraction (%)	Leakage
Inspired tidal volume	VTi
Expired tidal volume	VTe
End expiratory flow	Flowee
Measured oxygen concentration	O ₂ conc.
CO ₂ end tidal concentration	etCO ₂
CO ₂ minute elimination	VCO ₂
CO ₂ tidal elimination	VTCO ₂
Dynamic compliance	Cdyn
Static compliance	Cstatic
Inspiratory resistance	Ri
Expiratory resistance	Re
Work of breathing, ventilator	WOBvent
Work of breathing, patient	WOBpat
Elastance	E
P 0.1	P 0.1
Shallow Breathing Index	SBI
Peak Edi value	Edipeak
Minimum Edi value	Edimin
Ratio of expired tidal volume to predicted body weight	VT/PBW
Switch to backup (/minute)	Trended value only
Backup (%/min)	Trended value only

Alarms Specifications

Alarms	Neonatal Range	Pediatric Range	Adult Range
Airway pressure (upper alarm limit)	16 to 90 cmH ₂ O	16 to 90 cmH ₂ O	16 to 120 cmH ₂ O
Airway pressure NIV (upper alarm limit)	16 to 40 cmH ₂ O	16 to 40 cmH ₂ O	16 to 40 cmH ₂ O
Respiratory rate (upper and lower alarm limits)	1 to 160 breaths/min	1 to 160 breaths/min	1 to 160 breaths/min
Expired minute volume (upper alarm limit)	0.02 to 30 l/min	0.02 to 30 l/min	1 to 60 l/min
Expired minute volume (lower alarm limit)	0.01 to 20 l/min	0.01 to 20 l/min	0.5 to 40 l/min
End expiratory pressure (upper alarm limit)	1 to 55 cmH ₂ O	1 to 55 cmH ₂ O	1 to 55 cmH ₂ O
End expiratory pressure (lower alarm limit)	Off, 1 to 47 cmH ₂ O	Off, 1 to 47 cmH ₂ O	Off, 1 to 47 cmH ₂ O
No patient effort (Apnea) alarm	2 to 45 s	2 to 45 s	15 to 45 s
No consistent patient effort	Automatic return to support mode on patient triggering		
High continuous pressure	Yes (<i>See User's manual</i>)		
O ₂ concentration	Set value ±5 vol% or ≤18 vol%		
Gas supply	Below 200 kPa (2.0 bar/29 PSI), above 600 kPa (6.0 bar/87 PSI)		
Battery	<ul style="list-style-type: none"> • Limited battery capacity: 10 minutes • No battery capacity: less than 3 minutes • Low battery voltage 		
End tidal CO ₂ (upper and lower limit)	0.5% to 20%, 4 to 100 mmHg, 0.5 to 14 kPa		
Leakage too high	Yes (<i>See User's manual</i>)		
Technical	Yes (<i>See User's manual</i>)		
Autoset (Alarm Limits) Specifications	Invasive Ventilation – Controlled Modes Only		
High airway pressure	Mean peak pressure +10 cmH ₂ O or at least 35 cmH ₂ O		
Inspiratory tidal volume too high	The greater of VT _i + 30% or VT _i + 2 ml		
Expiratory minute volume (upper alarm limit)	Mean expiratory minute volume + 50%		
Expiratory minute volume (lower alarm limit)	Mean expiratory minute volume - 50%		
Respiratory rate (upper alarm limit)	Mean respiratory rate + 40%		
Respiratory rate (lower alarm limit)	Mean respiratory rate - 40%		
End expiratory pressure (upper alarm limit)	Mean end expiratory pressure + 5 cmH ₂ O		
End expiratory pressure (lower alarm limit)	Mean end expiratory pressure - 3 cmH ₂ O		
End tidal CO ₂ concentration (upper alarm limit)	Mean end tidal CO ₂ concentration +25%		
End tidal CO ₂ concentration (lower alarm limit)	Mean end tidal CO ₂ concentration -25%		

Optional Equipment Specifications

Optional Equipment	Weight	Dimensions	Maximum load
Mobile cart	27 lb 9 oz (12.5 kg)	25.5 W x 21.5 L x 21.9 H in (647 W X 547 L x 557 H mm)	—
Drawer for mobile cart	1 lb 5 oz (0.6 kg)	9.7 W x 4.6 L x 11.9 H in (247 W x 118 L x 302 H mm)	—
Shelf base	5 lb 8 oz (2.5 kg)	8.1 W x 11.9 L x 1.7 H in (207 W x 302 L x 43 H mm)	—
Pendant/bed holder	7 lb (3.2 kg)	11.9 W x 11.9 L x 15.5 H in (302 W x 302 L x 393 H mm)	—
Humidifier holder	1 lb 2 oz (0.5 kg)	9.6 W x 1.5 L x 7.3 H in (243 W x 38 L x 185 H mm)	26 lb 7 oz (12 kg)
Support arm 178	5 lb 8 oz (2.5 kg)	35.4 L in (900 L mm)	2 lb 3 oz to 7 lb (1 to 3 kg) depending on angle
User interface holder	1 lb 5 oz (0.6 kg)	1.8 W x 3.5 L x 4.8 H in (46 W x 90 L x 123 H mm)	—
Cable holder for handle	4 oz (0.1 kg)	5.4 W x 3.6 L x 6.1 H in (138 W x 92 L x 155 H mm)	22 lb 1 oz (10 kg)
Waterbag/IV pole	14 oz (0.4 kg)	5.8 W x 1.0 L x 39.6 H in (148 W x 26 L x 1007 H mm)	3 lb 5 oz (1.5 kg)
Gas cylinder restrainer kit	1 lb 2 oz (0.5 kg)	Upper: 4.1 W x 2.6 L x 1.9 H in (104 W x 65 L x 48 H mm) Lower: 4.2 W x 6.4 L x 3.0 H in (106 W x 162 L x 76 H mm)	Two 4.5 liter bottles
Y piece holder		1.0 W x 2.0 L x 1.8 H in (26 W x 52 L x 46 H mm)	

Y Sensor (option) Specifications

Specifications	Size	Weight
Y sensor module	6.1 W x 3.5 L x 0.8 H in (154 W x 90 L x 21 H mm)	10 oz (280 g)
Y sensor	0.7 W x 2.0 L x 1.1 H in (18 W x 50 L x 27 H mm)	0.4 oz (11 g)
Connectors and cables	<ul style="list-style-type: none"> • 15 mm male and female conical connector on flow sensor according to ISO 5356-1 • Pressure port on module, pressure line, 2.0 m, phthalate free PVC • Flow sensor cable, 6 ft 6.7 in (2.0 m) 	
Sensor material	• Single use: PC, Polycarbonate	
Power source	Powered by the ventilator system, 4.5 W during normal operation.	
Measuring method	Hot Wire Anemometer (HWA)	
Parameters	<ul style="list-style-type: none"> • Airway pressure • Airway flow • Inspiratory and expiratory volumes • Trigger and End inspiration 	
Measuring range	<ul style="list-style-type: none"> • Flow: 0.12 to 32 l/min • Pressure: -40 to 120 cmH₂O 	
Y sensor resistance	10 cmH ₂ O/l/s at 30 l/min	
Dead space	≤1 ml	
Pressure line connector	Gable mounted bulk head connector to fit tubing with an inner diameter of 0.1 to 0.16 in (3 to 4 mm)	

CO₂ Analyzer (option) Specifications

Specifications	Size	Weight
CO ₂ analyzer module	6.1 W x 3.5 L x 1.7 H in (154 W x 90 L x 43 H mm)	16 oz (0.45 kg)
Sensor (Capnostat 5)	1.3 x 1.9 x 0.9 in (32 x 47 x 21.6 mm)	0.7 oz (20 g)
Operating temperature	50°F to 91°F (10°C to 33°C)	—
Airway adapter	—	0.4 oz (10 g)
Power source	Powered by the ventilator	
Connectors and cables	<ul style="list-style-type: none"> • CO₂ analyzer module: 15-pole D-sub female connector • Sensor: 9 ft 2 in (2.8 m) cable 	
Measuring method	Mainstream, dual-wavelength, non-dispersive infrared	
Parameters	<ul style="list-style-type: none"> • CO₂ end tidal concentration (etCO₂) • CO₂ minute elimination (VCO₂) • CO₂ tidal elimination (VTCO₂) 	
Measuring range	<ul style="list-style-type: none"> • 0 to 150 mmHg CO₂ partial pressure • 0 to 20 kPa CO₂ partial pressure • 0 to 19.7% CO₂ volume (at a barometric pressure of 1013 hPa) 	
System response time CO ₂	The total system response time of the CO ₂ monitor when exposed first to air and then to a gas mix with 5.0% CO ₂ is <250 ms	
Warm-up time	15 s to initial CO ₂ indication maximum 2 minutes to full specification	
Oxygen concentration compensation	Automatic — values supplied from the ventilator system	
Barometric pressure compensation	Automatic — values supplied from the ventilator system	
Digitizing rate	100 Hz	
Airway adapter dead space	<ul style="list-style-type: none"> • Neonatal/pediatric: <1 cm³ • Adult: <5 cm³ 	

Edi Module (option) Specifications

Specifications	Size	Weight
Edi module	3.5 W x 6.1 L x 0.8 H in (90 W x 154 L x 21 H mm)	8.8 oz (0.25 kg)
Edi catheter cable	6 ft 6.7 in (2.0 m)	—
Power source	Powered by the ventilator	
Power consumption	<3 W during normal operation	
Parameters	<ul style="list-style-type: none"> • Edi waveform • ECG leads waveforms • NAVA® estimated pressure waveform (Pest) 	

Aeroneb Nebulizers Specifications

Specifications	Pro	Solo
Size	2.0 W x 2.0 L x 1.8 H in (50 W x 50 L x 45 H mm)	(1.9 W x 1.0 L x 2.6 H in (48 W x 25 L x 67 H mm)
Weight	Approx. 0.9 oz (25 g)	Approx. 0.5 oz (14 g)
Particle size	1 to 5 µm mass median aerodynamic diameter (MMAD)	
Flow rate	>0.2 (average: ~0.4) ml/min	
Maximum volume	10 ml	6 ml
Residual volume	<0.1 ml for 3 ml dose	
Control cable	5 ft 10.9 in (1.8 m)	

Communication/Interface Specifications

Communication/Interface	
Serial ports	<ul style="list-style-type: none"> • Isolated • Two RS-232C ports. For data communication via the SERVO Communication Interface (SCI)
Servo Communication Interface (SCI)	A protocol for data communication with external devices
Alarm output connection (option)	<ul style="list-style-type: none"> • Isolated • 4-pin modular connector for communication of all active alarms • Switching capability: Max. 40 V DC, max. 500 mA, max. 20 W
Data transfer via USB port	<ul style="list-style-type: none"> • Non-isolated • For transfer of trends, logs, screenshots and recordings to a • USB memory stick
VGA port	<ul style="list-style-type: none"> • Non-isolated • External monitors should be isolated from the ventilator system — this can be achieved if the connected monitor is powered via a medical grade transformer
Ethernet port	<ul style="list-style-type: none"> • Isolated • The network connection (LAN) port is for service use

Log Function

Specifications	
Event log	<ul style="list-style-type: none"> • Alarms • Ventilator settings • Apnea periods • Immediate functions
Diagnostic log	<ul style="list-style-type: none"> • Technical information • Test results • Service records • Software installation • Configuration information

Saving of Data

Specifications	
Recording of current waveform and parameter values	30 seconds of data will be recorded (15 seconds before and 15 seconds after activation) — up to 40 recordings can be stored
Saving screenshots	Up to 40 screenshots can be stored
Export files	Recordings, screenshots and the event log can be saved together in an export file and transferred to a USB memory stick

Compressor Mini (option)

Specifications	
<i>See separate data sheet</i>	

Service

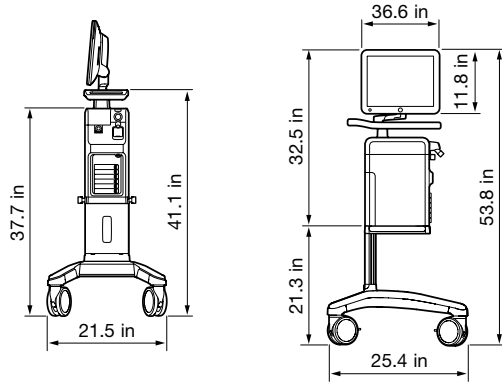
Specifications	
Regular maintenance	Once every 12 months or at least after 5000 operating hours

Ordering Information

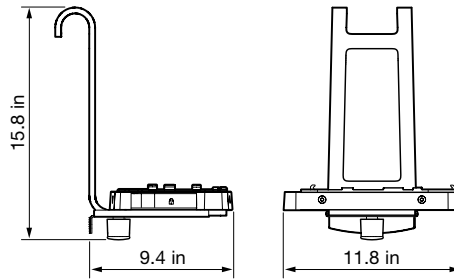
Specifications	
SERVO-U, ventilator system and accessories	Contact your local Maquet representative

Technical drawings

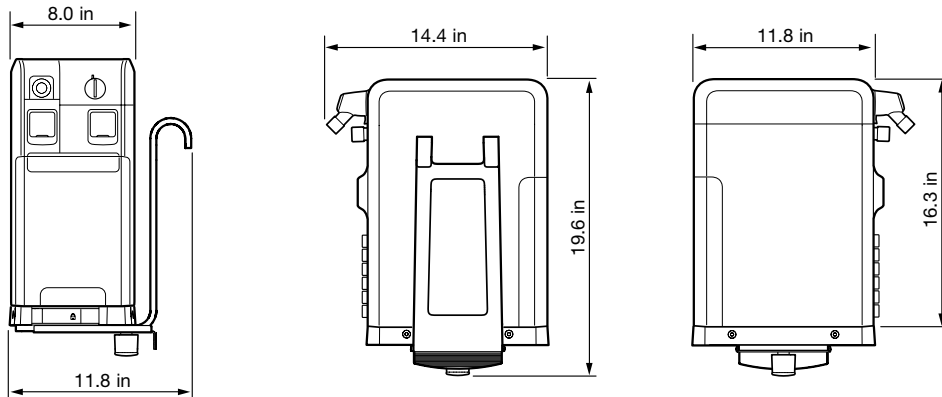
SERVO-U® on Mobile Cart



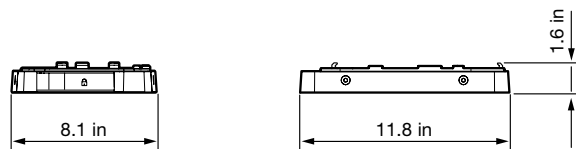
SERVO-U Holder



SERVO-U (patient unit) on SERVO-U Holder



SERVO-U Shelf Base



MAQUET
GETINGE GROUP

Maquet Medical Systems USA
45 Barbour Pond Drive
Wayne, NJ 07470

www.maquetusa.com

GETINGE GROUP

Getinge Group is a leading global provider of products and systems that contribute to quality enhancement and cost efficiency within healthcare and life sciences. We operate under the three brands of ArjoHuntleigh, Getinge and Maquet. ArjoHuntleigh focuses on patient mobility and wound management solutions. Getinge provides solutions for infection control within healthcare and contamination prevention within life sciences. Maquet specializes in solutions, therapies and products for surgical interventions, interventional cardiology and intensive care.

MCV00038303 REV B